

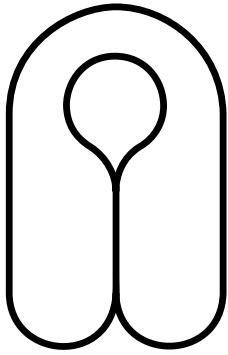


LALIZAS 
Simply life saving

www.lalizas.com



**LALIZAS COMPACT 2016
FOLDING FOAM LIFEJACKET**



LALIZAS 
www.lalizas.com
COMPACT 2016

**SOLAS / MED
APPROVED**



0098



Driven by regulation changes for lifejacket accessibility on cruise ships, and customer demand for reduced bulk and improved storage options, LALIZAS has designed COMPACT 2016 to best service these needs

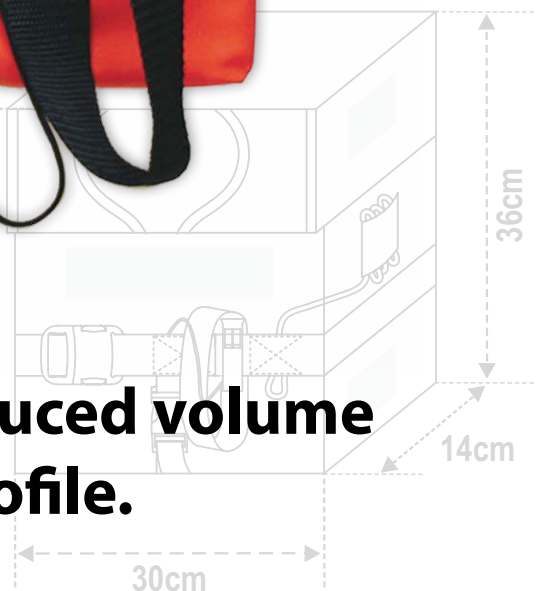


LALIZAS 
www.lalizas.com
COMPACT 2016

SOLAS / MED APPROVED

COMPACT 2016

provides improved storage options

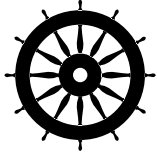


**due to its significantly reduced volume
and easy-stack profile.**

COMPACT 2016 *adult*

LALIZAS Code 72214

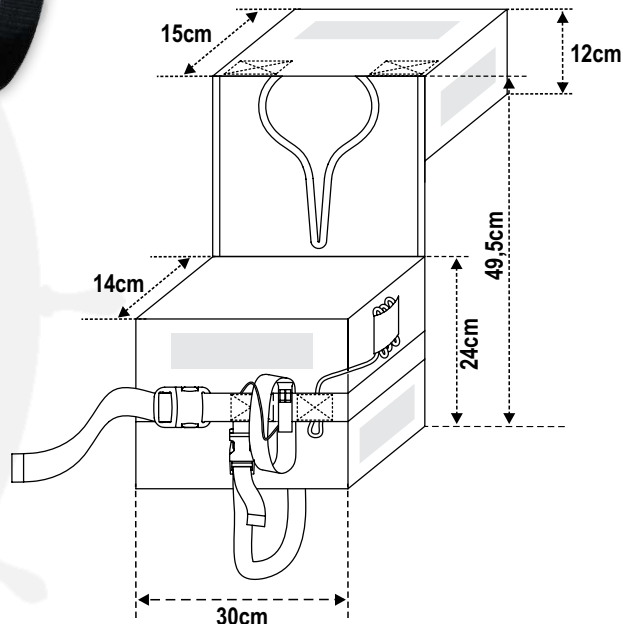
SOLAS / MED APPROVED



0098



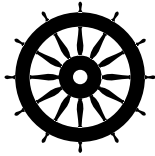
- LALIZAS SOLAS/MED Approved Retro-Reflective Tape
- Strap (40mm)
- Crotch Strap (25mm)
- Buddy Line
- Lifting Loop
- Whistle secured by Cord



COMPACT 2016 *child*

LALIZAS Code 72215

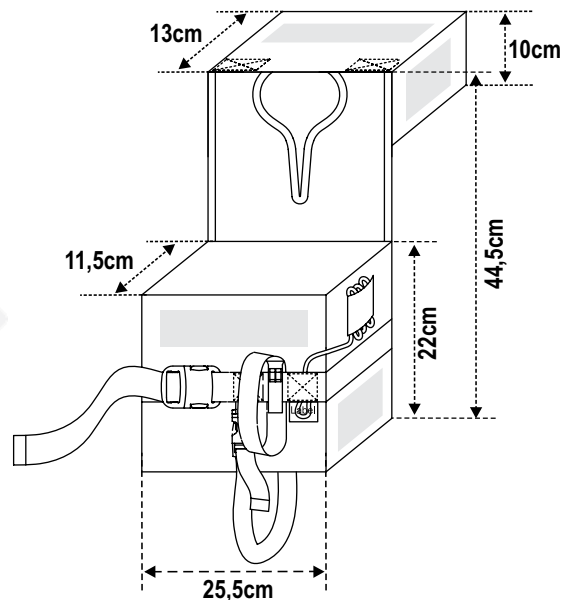
SOLAS / MED APPROVED



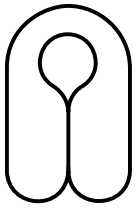
0098



- LALIZAS SOLAS/MED Approved Retro-Reflective Tape
- Strap (40mm)
- Crotch Strap (25mm)
- Buddy Line
- Lifting Loop
- Whistle secured by Cord



COMPACT 2016



LALIZAS
www.lalizas.com
COMPACT 2016



MODEL

COMPACT 2016 adult

COMPACT 2016 child

LALIZAS CODE

72214

72215

**SOLAS
CERTIFICATION**

SOLAS 74, as amended by IMO Resolution MSC. 201 (81), MSC. 216 (82), L.S.A. Code as amended by, 207 (81), 218 (82); and MSC. 81 (70), MSC. 200 (80), MSC. 226 (82), MSC. 323 (89), MSC. 368 (93) & MSC. 378 (93)

BUOYANCY

146 Nt

88 Nt

BODY WEIGHT

over 43 up to 140 kg

over 15 up to 43 kg

AVERAGE TURNING TIME

1,8 sec

1,5 sec

RETRO-REFLECTIVE TAPE

400 cm²

400 cm²

LIFTING LOOP

YES

YES

BUDDY LINE

YES

YES

CROTCH STRAP

YES

YES

WHISTLE

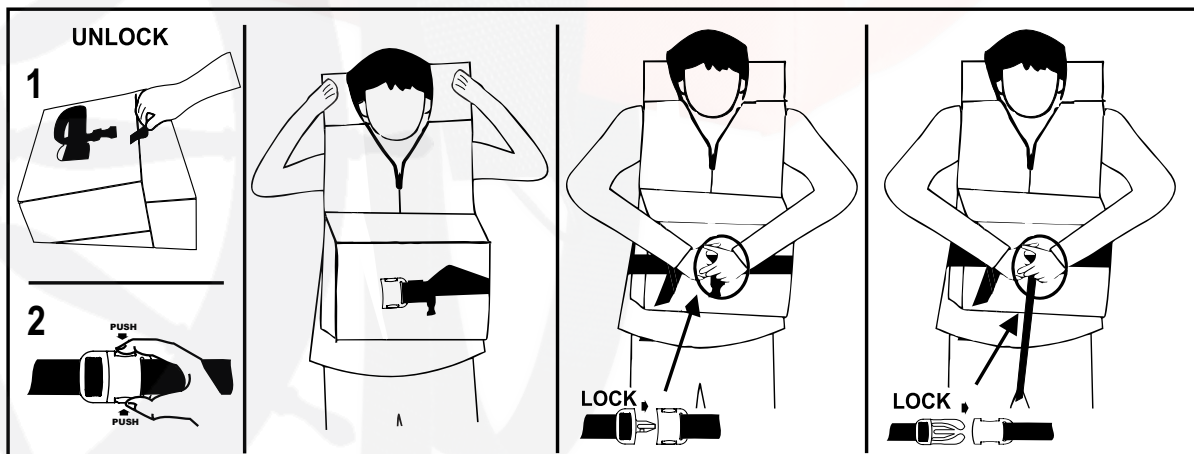
YES

YES

STORAGE TEMP

-30° C up to +65° C

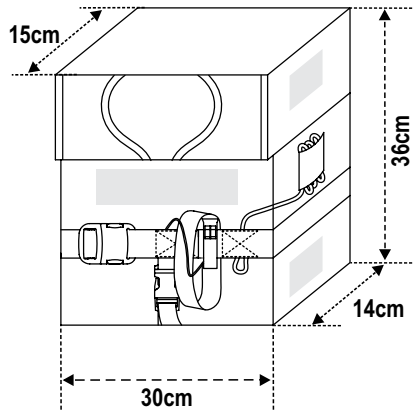
-30° C up to +65° C



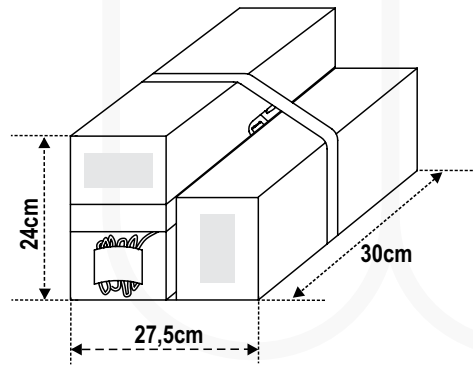
COMPACT 2016

Multiple Folding Options

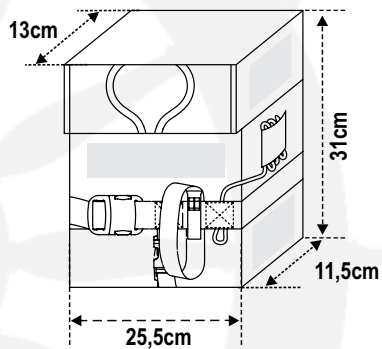
1



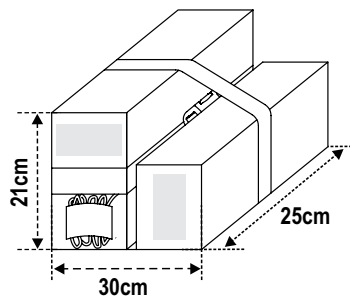
2



1



2



COMPACT 2016 adult

COMPACT 2016 child

LALIZAS
www.lalizas.com
COMPACT 2016